

R RENOWNED
KNOW-HOW

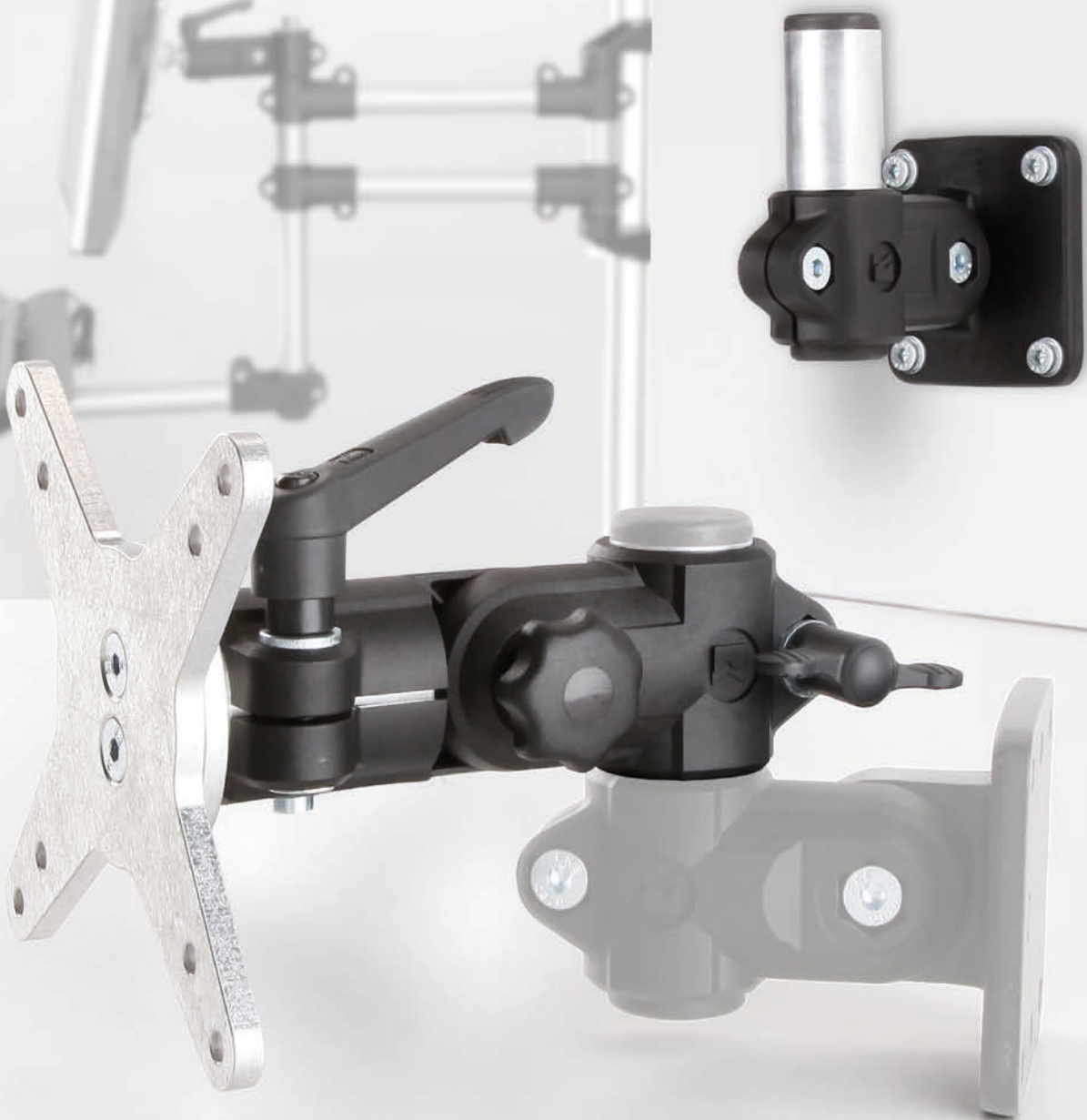
Automation Technology



RK ROSE+KRIEGER

A Phoenix Mecano Company

Variable & customizable



RK Monitor Mounting

Industry grade with universal or VESA interface

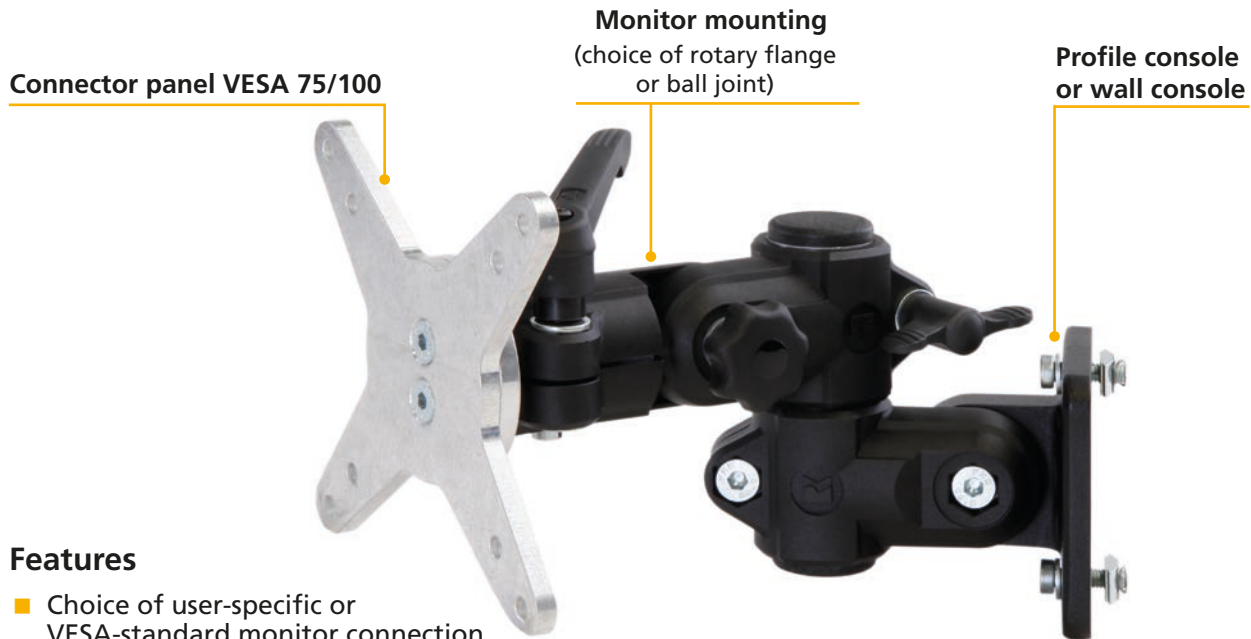
RK Monitor Mounting

All purpose mounting for monitors, touch panels and operating units

This mounting for monitors, touch panels and other operating units is flexible, offers many degrees of freedom and thus can be used universally. Due to compability to RK Connecting Technology as well to the RK Profile System most different connections are realizable.

Ideal range of applications:

- ✓ General industrial applications
- ✓ Plants and machines
- ✓ Control centers
- ✓ Ergonomic work stations



Features

- Choice of user-specific or VESA-standard monitor connection
- High-strength materials guarantee a long-term load-bearing capacity of up to 25 kg, for reliable processes
- Highly ergonomic thanks to personalised height adjustment
- Optimum adjustment of the field of vision thanks to side-turning
- Vibration-proof locking in 15° increments
- Connects to aluminium profile, and thus also to the machine frame using slot stones
- Universal mounting holes facilitate simple wall mounting

Rotary flange monitor mounting

- Max. load capacity 25 kg (static)
- Can be turned through 90°



Ball joint monitor mounting

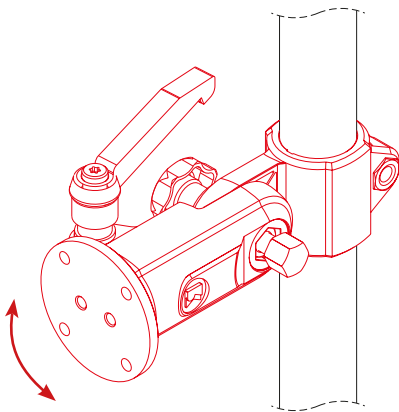
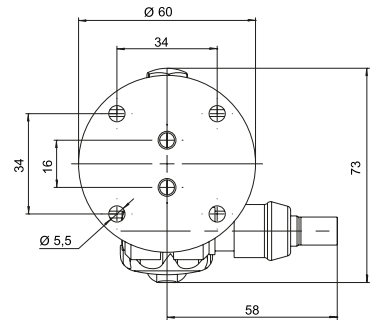
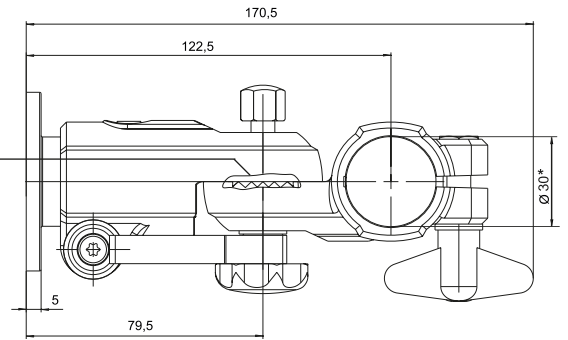
- Max. load capacity 10 kg (static)
- 60° free swivelling



Rotary flange monitor mounting



Locking in 15° - steps



90°

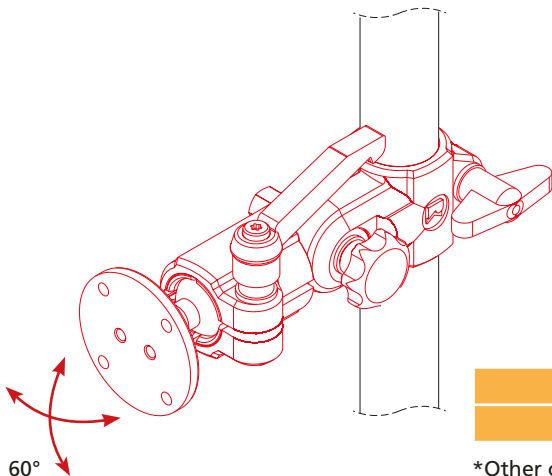
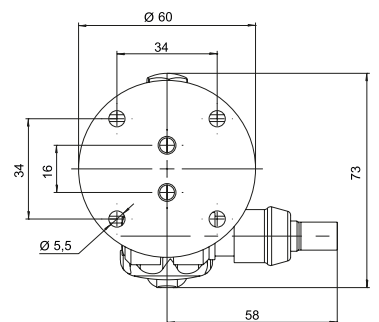
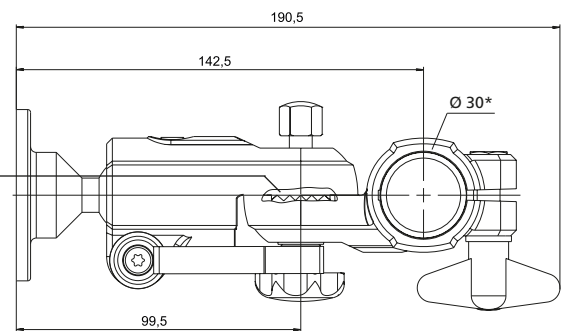
Code No.	Weight	max. load
193000030C11	370 g	25 kg

*Other cross-sections by reducing bushes (see page 6)

Ball joint monitor mounting



Locking in 15° - steps



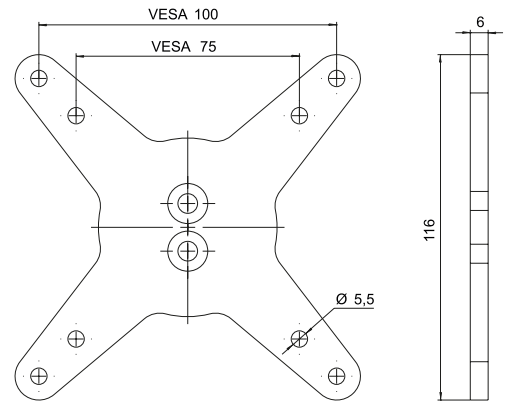
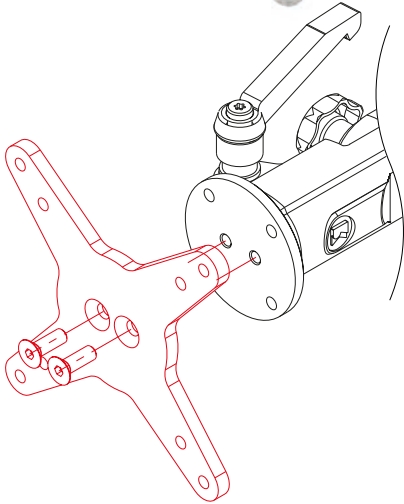
60°

Code No.	Weight	max. load
193000042C11	342 g	10 kg

*Other cross-sections by reducing bushes (see page 6)

RK Monitor Mounting

Adaptor plate VESA 75/100

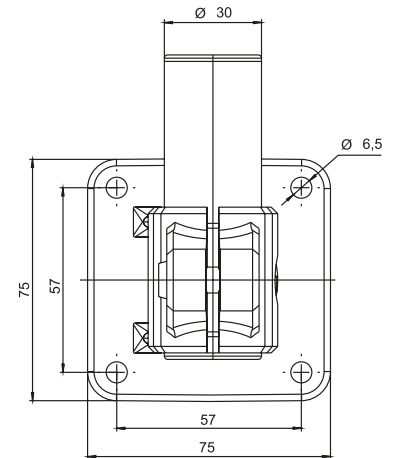
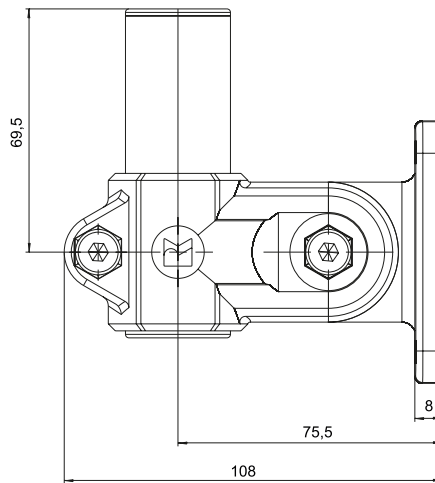
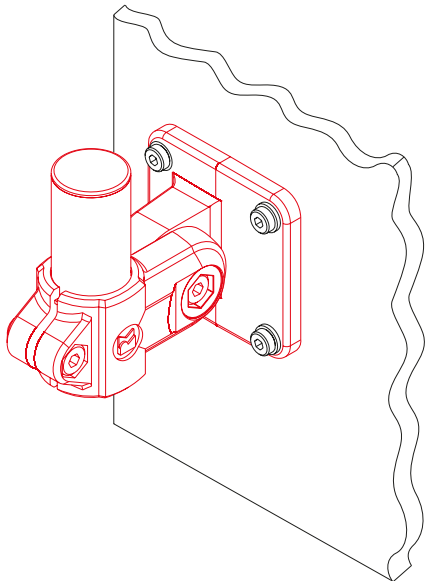


Code No.	Weight
94370	115 g



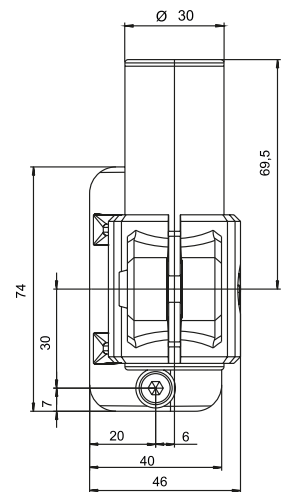
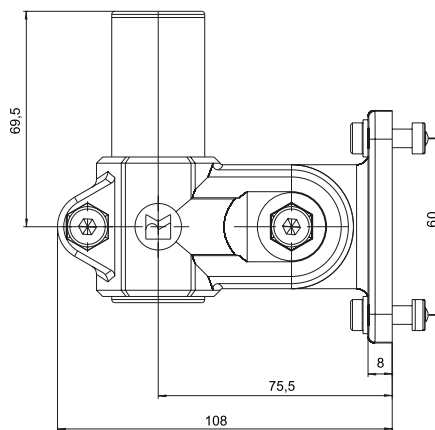
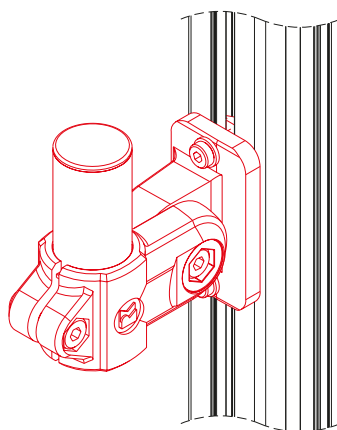


Wall console



Code No.	Weight
193000358C66	306 g

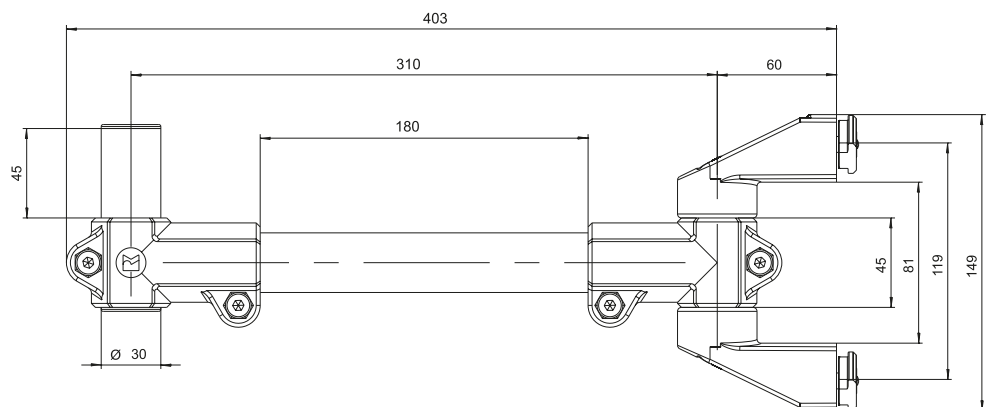
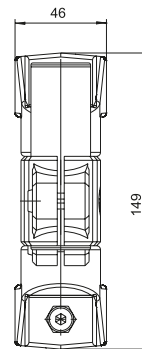
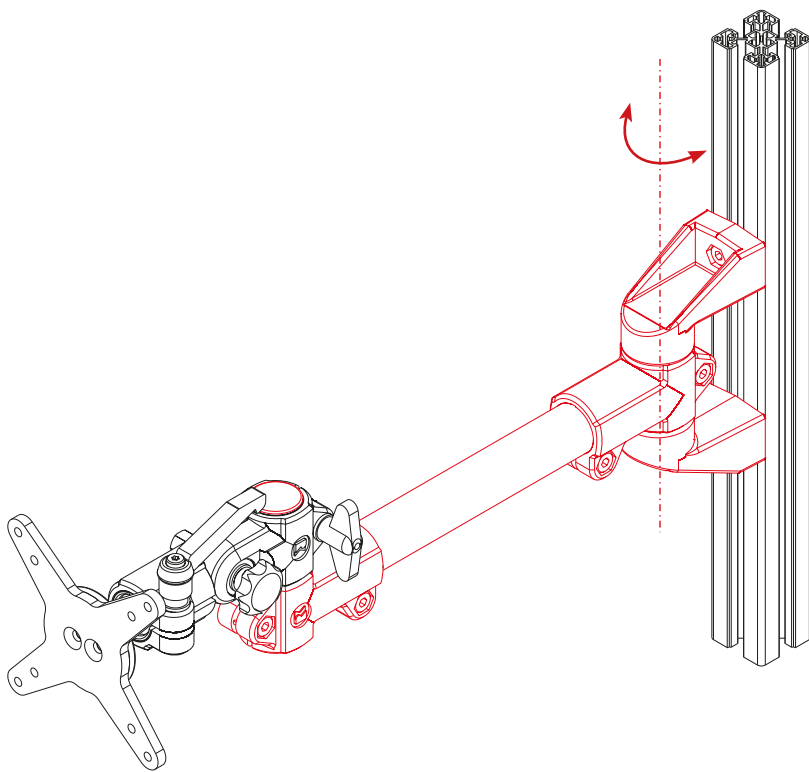
Profile console



Code No.	Weight
193000298C66	270 g

RK Monitor Mounting

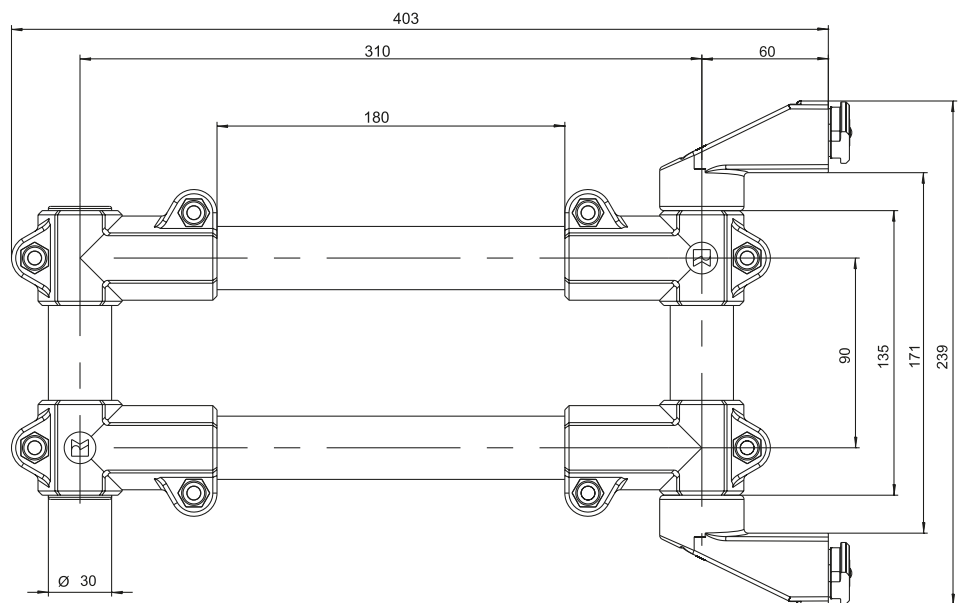
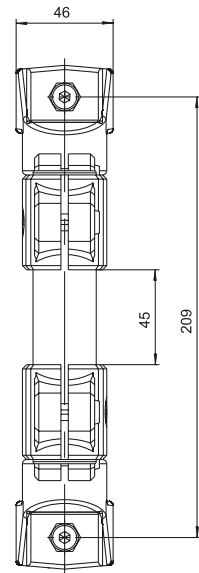
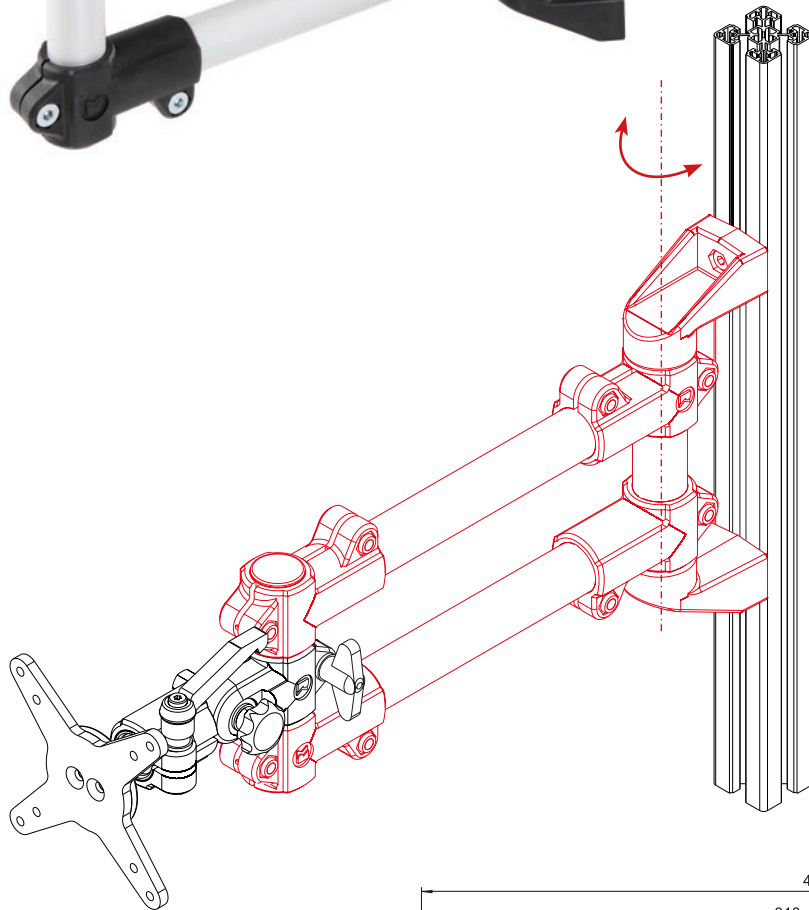
Support arm single



Code No.	Weight	max. load
193000018C66	610 g	10 kg



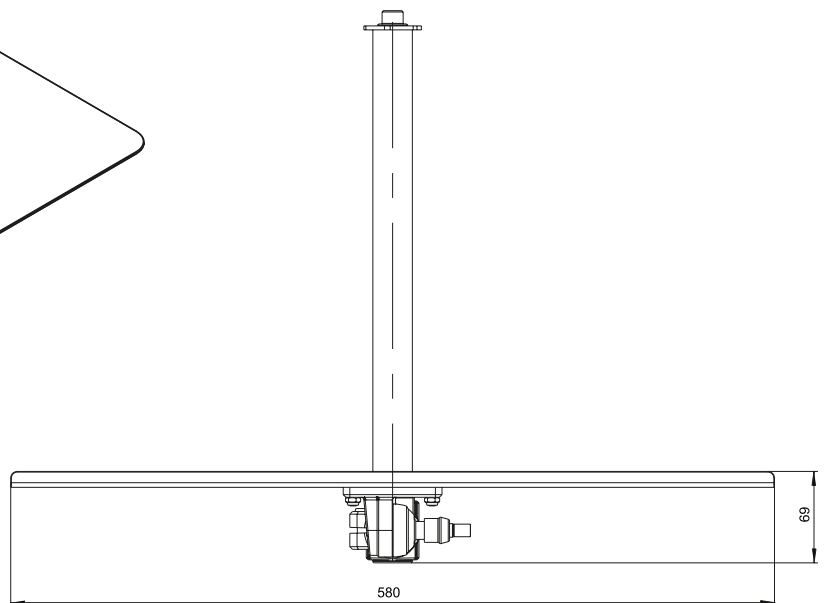
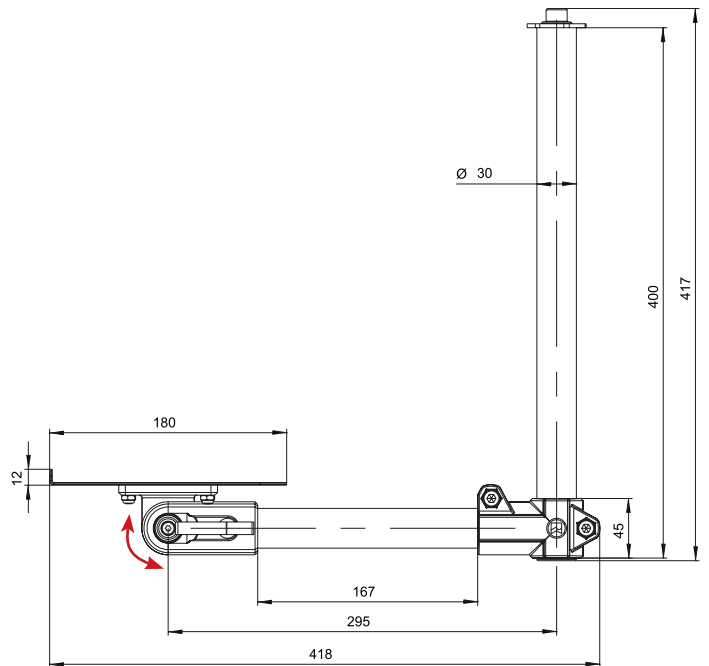
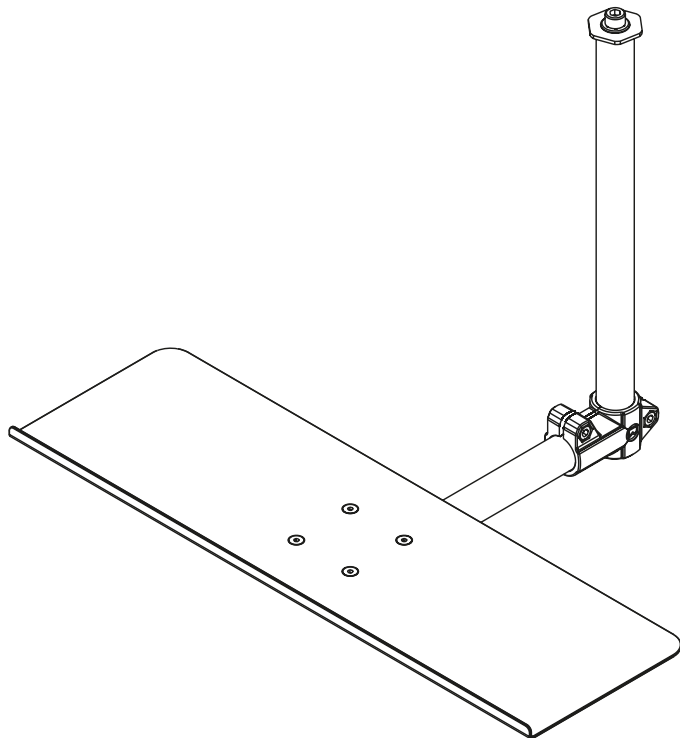
Support arm double



Code No.	Weight	max. load
193000028C66	1030 g	25 kg

RK Monitor Mounting

Keyboard tray



Designed for Support arm double

Code No.	Weight
193000038C66	2500 g

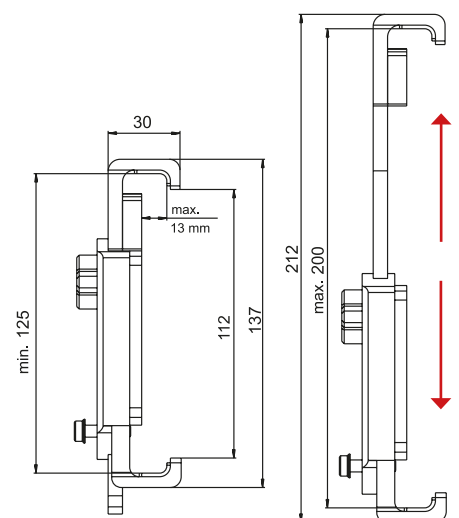
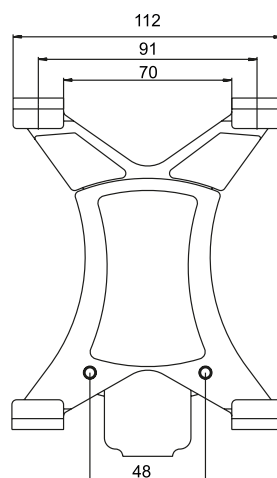
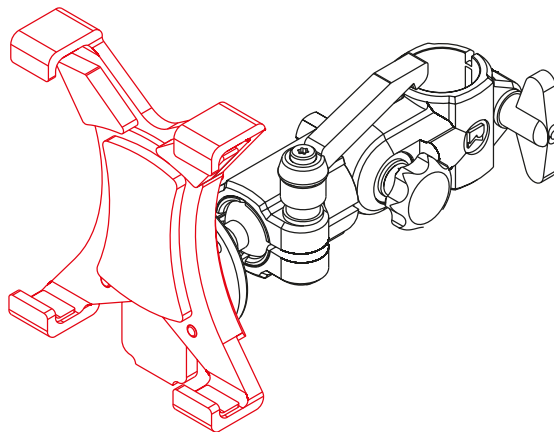
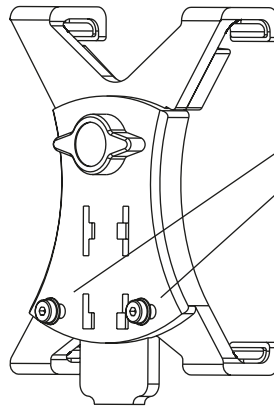
Application examples
Keyboard tray



RK Monitor Mounting

Tablet holder

Includes: fixing set for RK monitor mounting



Code No.	adjustment range
193000052C66	125 mm - 200 mm / 4,8 inch - 7,8 inch

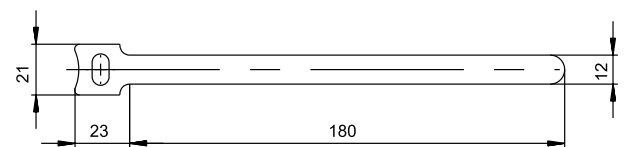
Application example Tablet holder



Order instruction:

- Purchase only in pack quantities, see catalogue

Cable straps with velcro

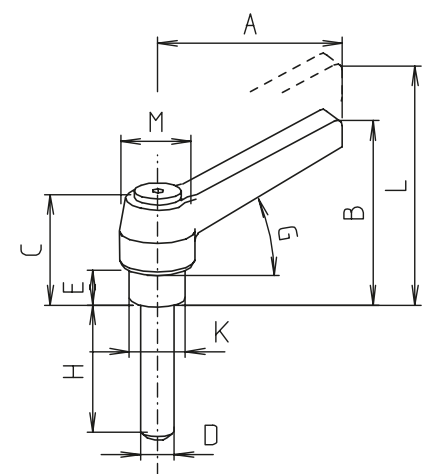
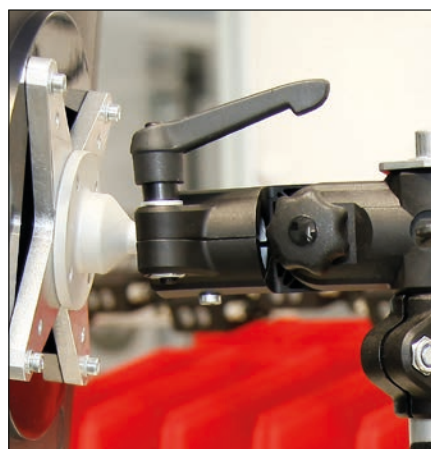


Code No.	Scale of pack quantities
91811	5, 10, 15... piece

Clamping lever

- The clamping lever enables the re-adjustment of the clamping element. This can be done by easy exchange of the cylinder screw.
- By lifting the grip, the free movement of the serration toothing enables the clamping lever to swing into the desired position. The grip moves into its original position when released.

Material: Grip made of polyamide black, screws -stainless steel



[mm]

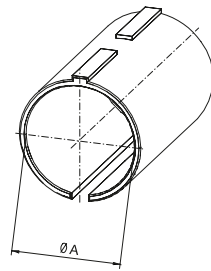
Code No.	Type	A	B	C	D	E	G	H	K	L	M
93024	12-18	40	35,5	30	M6	10	20°	18	10	39,5	13

Accessories

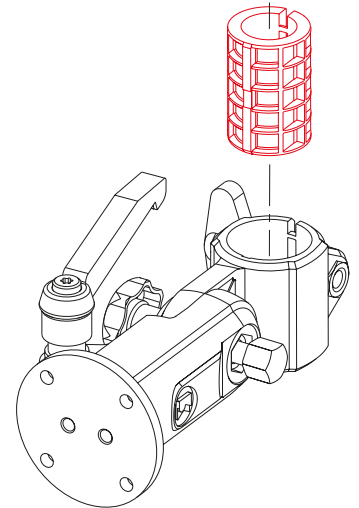
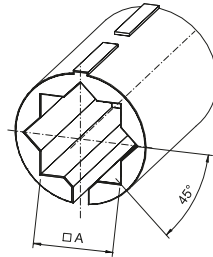
Reducing bushes for monitor mounting



Version „R“



Version „V“



[mm]

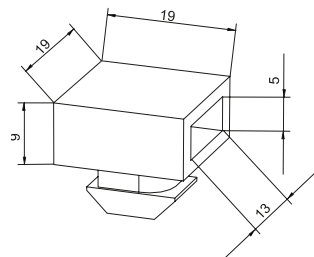
Code No.	Version	Scale of pack quantities	A + 0,1
96204BC	R20	5, 10, 15... piece	20,25
96206BC	R25	5, 10, 15... piece	25,25
96208BC	V20	5, 10, 15... piece	20,25

Vario-Quick holding block K/KK

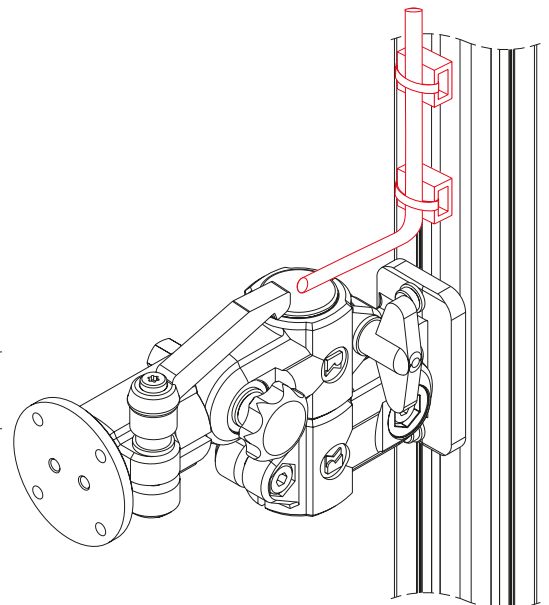
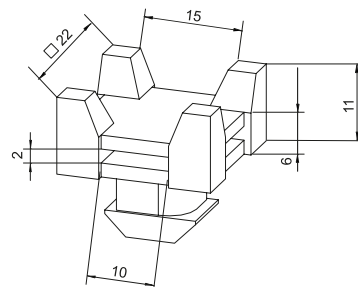
- For fixing cables and hoses
- It is possible to insert it into the profile slot retrospectively

Material: Black plastic

Version K



Version KK



Code No.	Version	Scale of pack quantities	Suitable for
4018125	Holding block K	5, 10, 15... piece	40 slot geometry*
4018127	Holding block KK	5, 10, 15... piece	40 slot geometry*

* Slot geometry RK Profile Technology

RK Monitor Mounting

Mounting to tube connection system

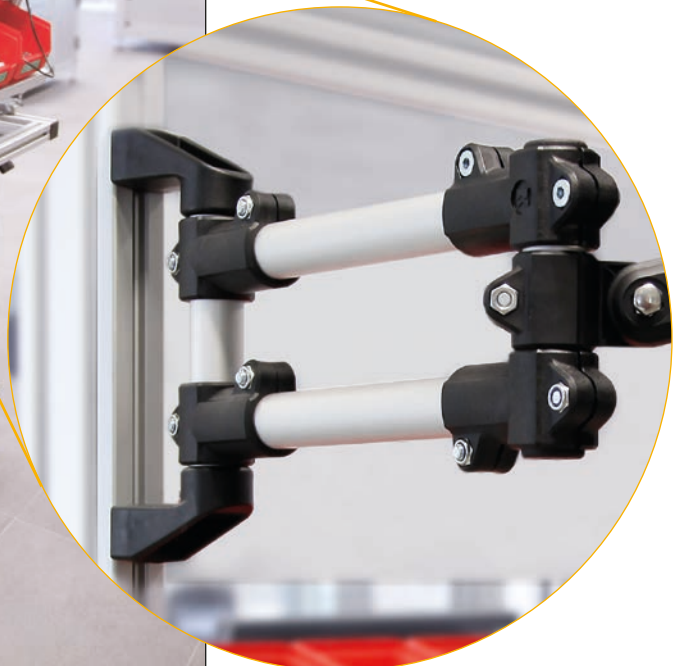


Mounting to profile or wall





Application examples
Support arm double



R RENOWNED
KNOW-HOW



RK ROSE+KRIEGER

A Phoenix Mecano Company

**LINEAR-
PROFILE-
CONNECTING-
MODULE-
TECHNOLOGY**



FAX reply form

Yes, I would like to know more about RK connecting technology, please:

send me details of your product range in PDF format on a CD-ROM

send me the Connecting Technology catalogue

contact me

Company: _____

Contact partner: _____

Department: _____

Address: _____

Tel. + Fax: _____

E-mail: _____



RK ROSE+KRIEGER

A Phoenix Mecano Company

Connecting and positioning systems

RK Rose+Krieger GmbH
Postfach 15 64
32375 Minden, Germany
Telephone: +49 (0)571 93 35-0
Fax: +49 (0)571 93 35-119
E-mail: info@rk-online.de
Internet: www.rk-rose-krieger.com