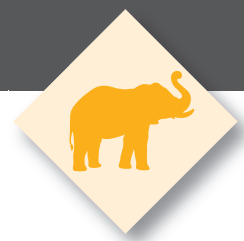


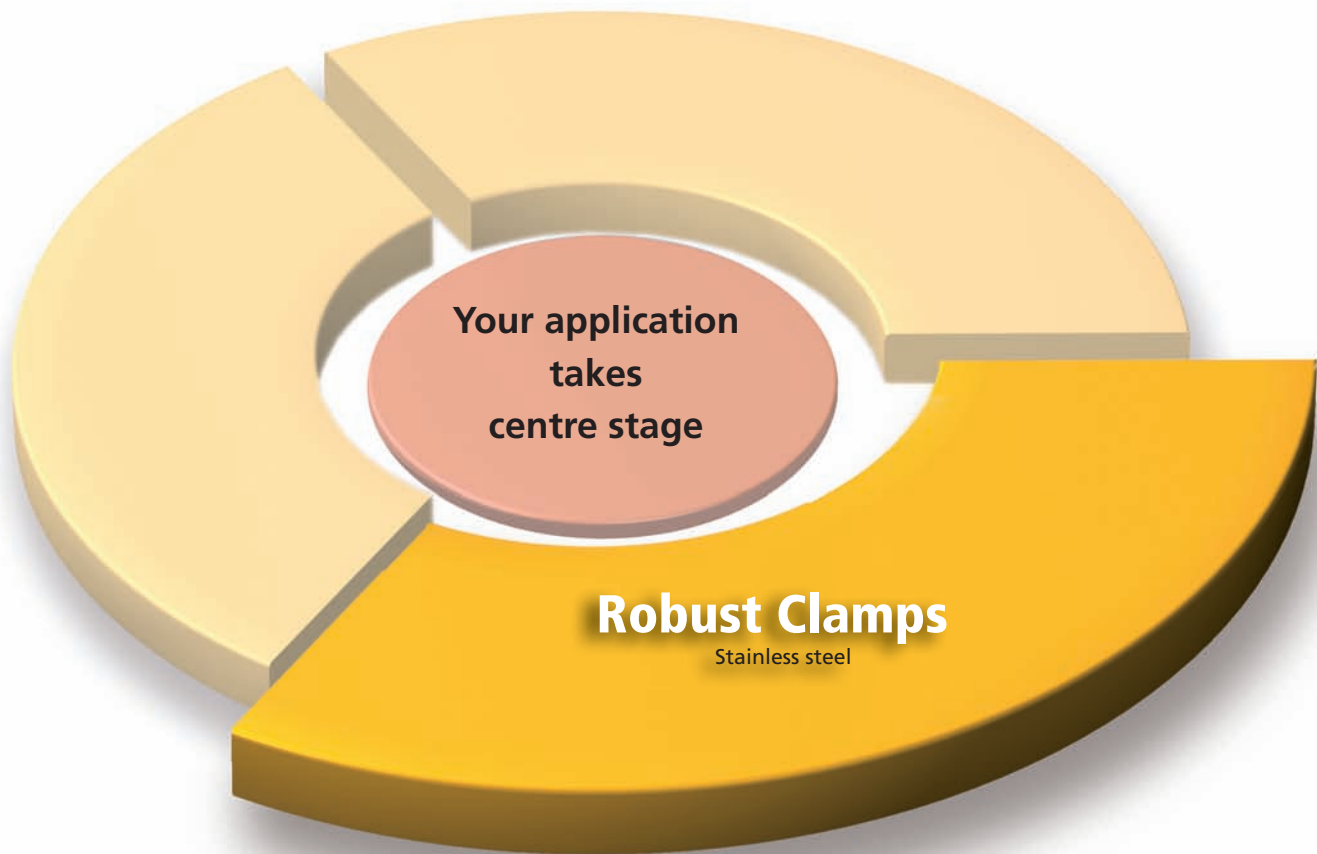
Style and power
...the new generation of connectors



Robust Clamps



The new generation of connectors

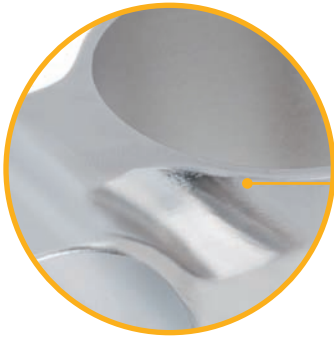


Features:

- High clamping forces (optimum wall thickness ratio)
- Withstand dynamic loads
- Extremely resistant to high torsional stress
- Optimised weight
- Highly temperature resistant
- Corrosion-resistant material: 1.4308
- Cost-effective alternative to DIY
- Electropolished surface

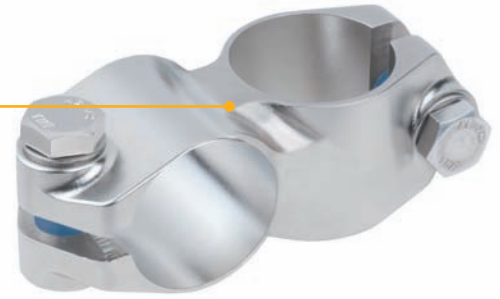


... specific demands require specific solutions.



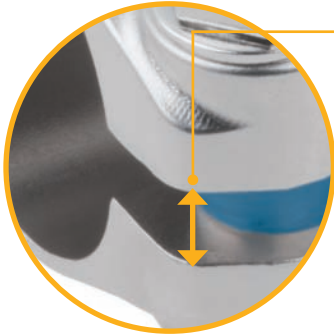
■ Smooth contour transitions

Optimised flux of force during torsional stress



■ Exterior hex screws

Simple installation with standard tools



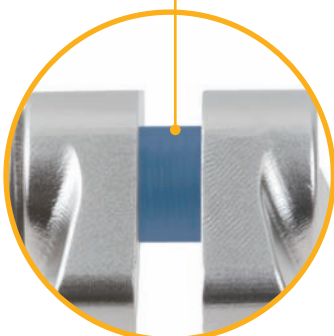
■ Large slot width

Easy to clean



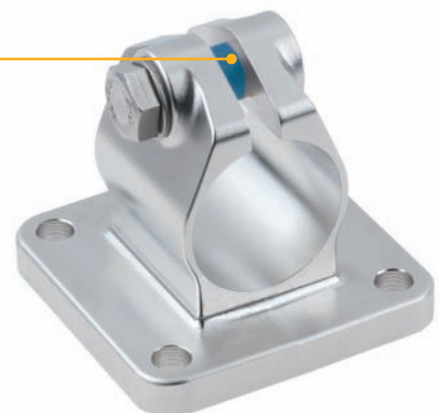
■ Pocket hole version

Minimises dirt accumulation



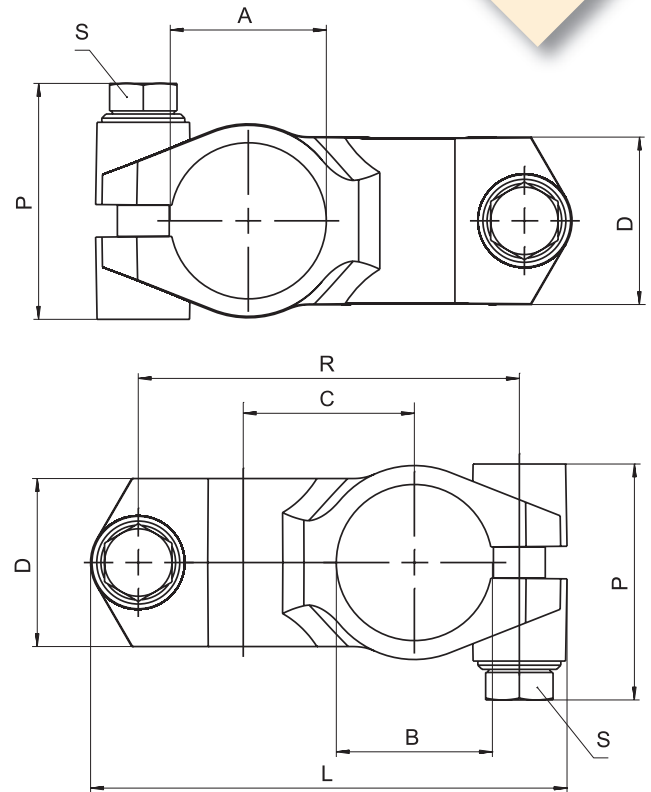
■ Silicone thread coating

Protects the threads against soiling and damage



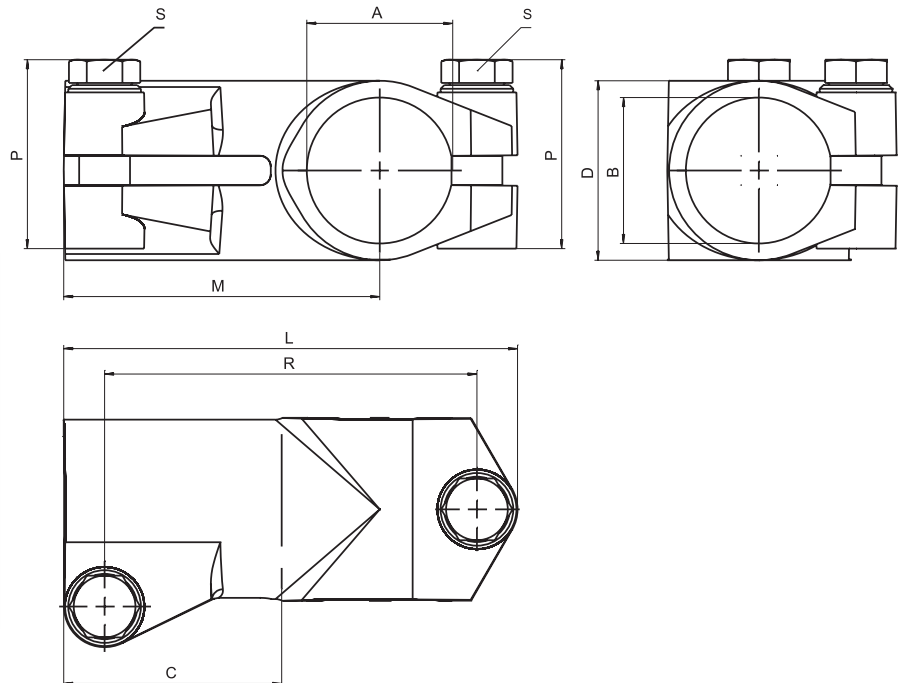


■ Cross clamp

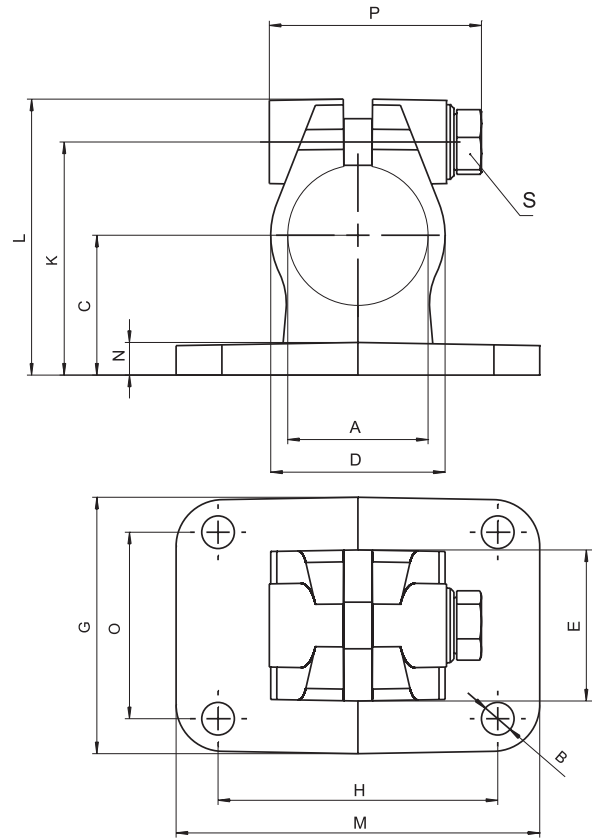


Code No.	Type	A	B	C	D	L	P	R	S	m[g]
103000003900	K 30	30.1	30.1	33	32.4	92	45.5	73.5	M8x30	348
104000003900	K 40	40.17	40.17	42	40.4	118	52	95.5	M10x35	647

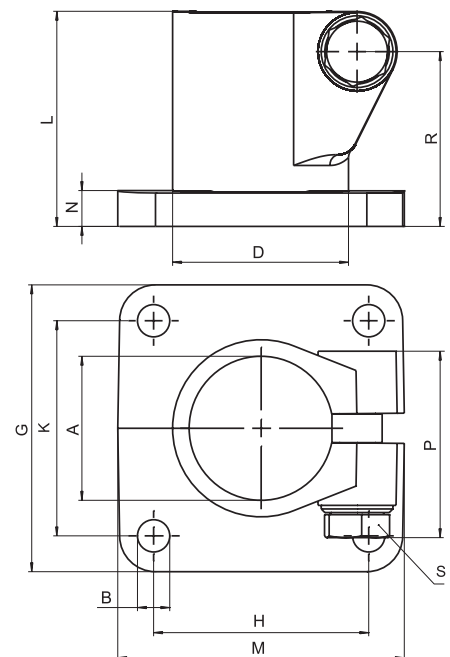
■ Corner clamp



Code No.	Type	A	B	C	D	L	M	P	R	S	m[g]
113000003900	W 30	30.1	30.1	40	38.4	87	58	45.5	69	M8x30	403
114000003900	W 40	40.17	40.17	60	50.4	124.9	87	52	102.5	M10x35	875

■ Flange clamp


Code No.	Type	A	B	C	D	E	G	H	K	L	M	N	O	P	S	m[g]
12300000390	FK 30	30.1	7	30	37.4	32.4	55	60	50	59.2	78	7	40	45.5	M8x30	370
12400000390	FK 40	40.17	9	42	49.4	46.4	80	60	69	80	80	10	40	52	M10x35	849

■ Base clamp


Code No.	Type	A	B	D	G	H	K	L	M	N	P	R	S	m[g]
13300000390	FS 30	30.1	7	37.4	60	40	40	50	60	7	45.5	41	M8x30	316
13400000390	FS 40	40.17	9	49.4	80	80	60	60	80	10	52	90	M10x35	629

RK Rose+Krieger's range of services

Our product ranges



LINEAR TECHNOLOGY

- ✓ Manual adjustment units
- ✓ Electric cylinders
- ✓ Lifting columns
- ✓ Linear axes
- ✓ We can move loads for you of up to 3 t and up to 12 m dynamically, reliably and with great precision



PROFILE TECHNOLOGY

- ✓ The tried and tested BLOCAN® aluminium assembly system
- ✓ Sections from 20 mm to 320 mm for all applications
- ✓ Connecting technology with an unsurpassed combination of flexibility and reliability



CONNECTING TECHNOLOGY

- ✓ Fittings for the secure clamp connection of round and square tubes
- ✓ Elements made of aluminium, stainless steel and plastic
- ✓ Sizes from 8 mm to 80 mm



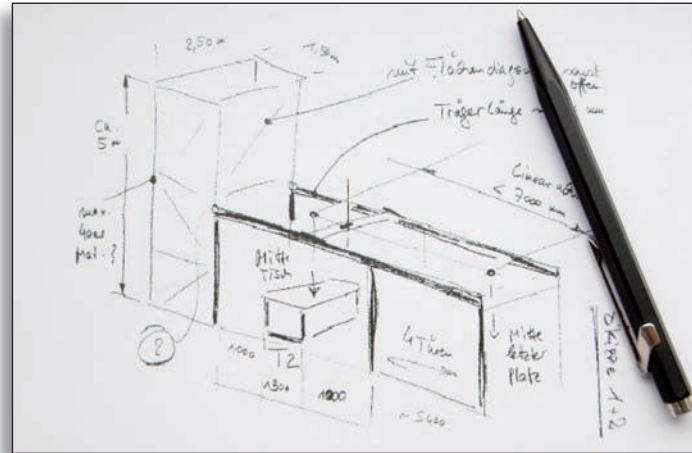
MODULE TECHNOLOGY

- ✓ Machine frames
- ✓ Workstations
- ✓ Machine guards
- ✓ Multidimensional linear axis modules
- ✓ Complete drive solutions

Our services

Do you need to focus your resources on other tasks and are you looking for an expert partner you can rely on? Working in close collaboration with you, our specialists will develop solutions tailor-made to meet your needs. If you wish, we can also assemble and commission the units on site.

- Just make a sketch of your requirements



- Our product specialists will develop a solution for you



- We can deliver your turnkey solution or assemble and commission it for you on site



R RENOWNED
KNOW-HOW



RK ROSE+KRIEGER

A Phoenix Mecano Company

**LINEAR-
PROFILE-
CONNECTING-
MODULE-
TECHNOLOGY**



FAX reply form

Yes, I would like to know more about RK connecting technology, please:

send me details of your product range in PDF format on a CD-ROM

send me the Connecting Technology catalogue

contact me

Company: _____

Contact partner: _____

Department: _____

Address: _____

Tel. + Fax: _____

E-mail: _____



RK ROSE+KRIEGER

A Phoenix Mecano Company

Connecting and positioning systems

RK Rose+Krieger GmbH
Postfach 15 64
32375 Minden, Germany
Telephone: +49 (0)571 93 35-0
Fax: +49 (0)571 93 35-119
E-mail: info@rk-online.de
Internet: www.rk-rose-krieger.com