

Enquiry Work tables BLOCAN® profile systems

Company:..... Customer code:.....
Address: Location:.....
Telephone:..... Telefax:.....
Contact person: E-Mail:

Please indicate dimensions in the sketch.

Sketch:



Deadline for the quotation:

Notes:

.....

Enquiry Work tables BLOCAN® profile systems

Company:..... Customer code:

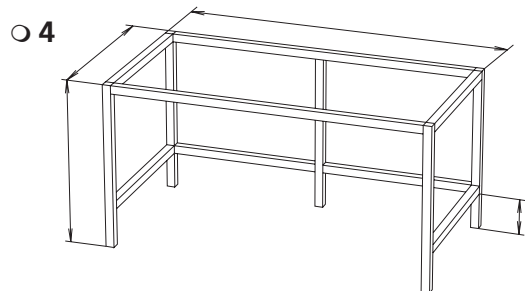
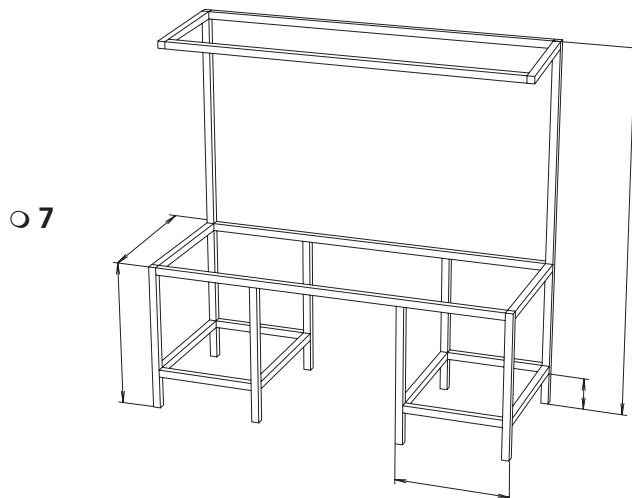
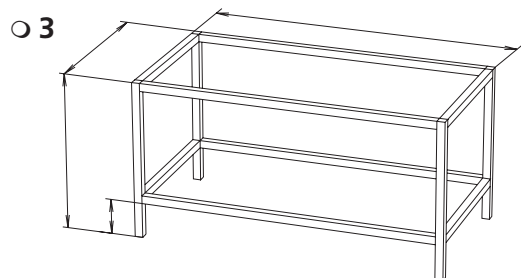
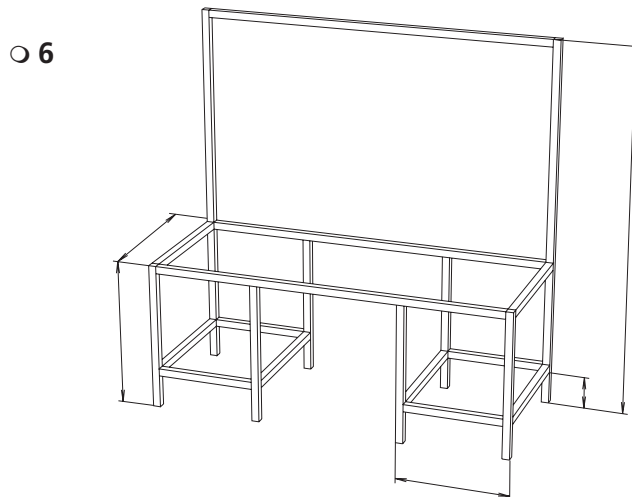
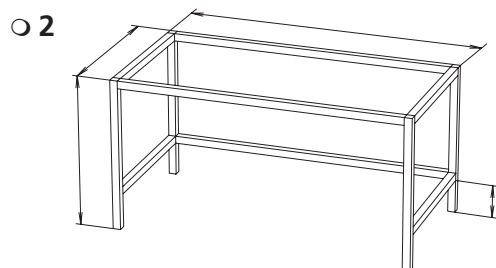
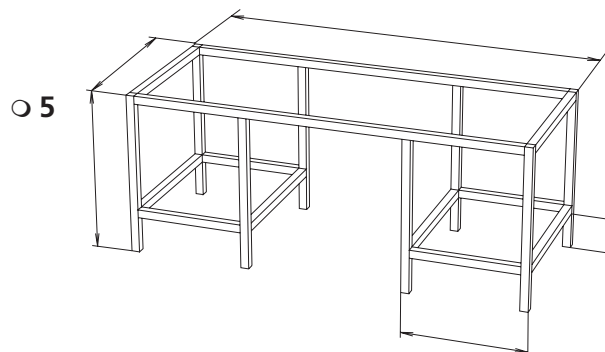
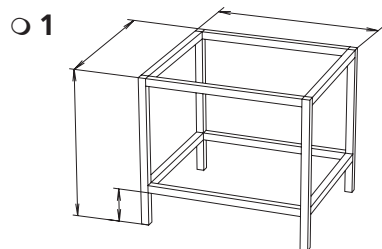
Address: Location:.....

Telephone:..... Telefax:.....

Contact person: E-Mail:

Different types of work tables

Please indicate dimensions at the required version



Deadline for the quotation:

Notes: